

FONTANA COMMERCIAL DARK OIL RUBBED BRONZE MANUAL SOAP DISPENSER INSTALLATION INSTRUCTIONS



BEFORE YOU BEGIN

Before you begin, please read the installation instructions below. Observe all local building and safety codes.

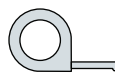
Unpack and inspect the items for any shipping damages. If you find damages, do not install.

Please note all products must be installed by a professional and certified plumber otherwise warranty might be voided.

POSSIBLE TOOLS REQUIRED*



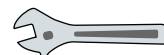
Plumbers Tape



Tape Measure



Level



Adjustable Wrench



Hex Wrench



Thread Sealant



Drill



Pencil or Marker



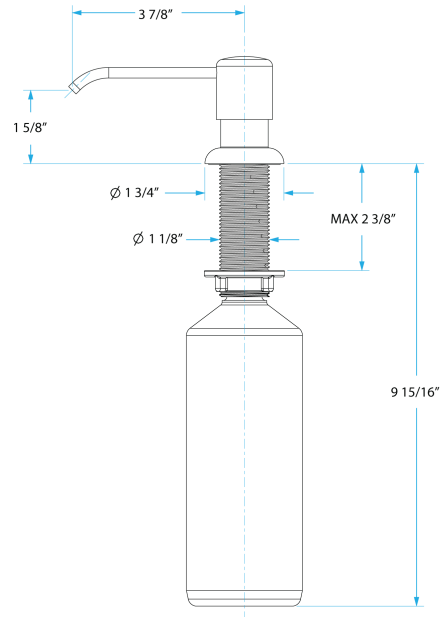
Screwdriver

*not included

Feature:

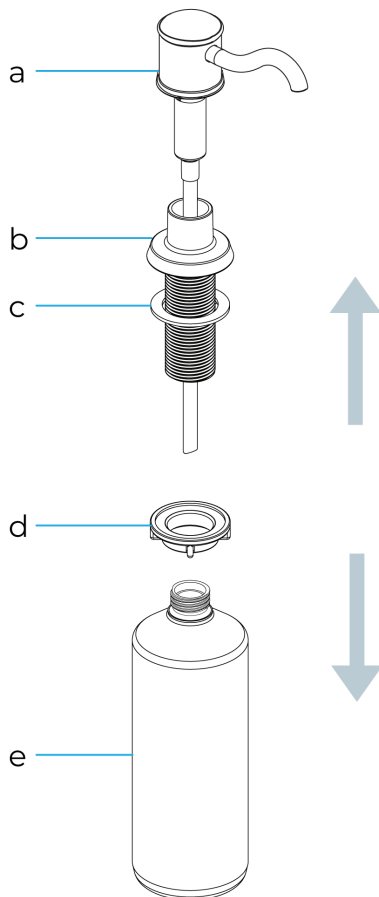
- Solid brass construction
- Self-priming pump
- Refillable from above
- Holds up to 17 oz. of liquid
- Pump: 1 5/8"
- Spout: 3 7/8"
- Spout height: 1-5/8"

Size



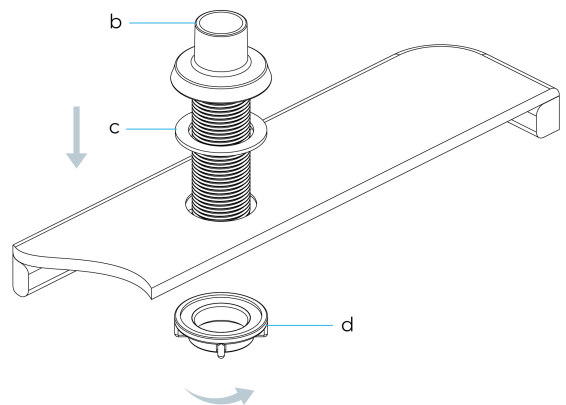
Installation Instructions

1.

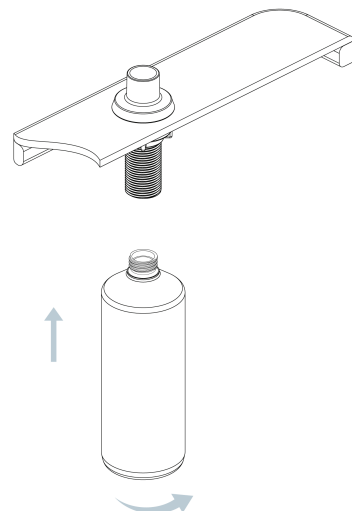


- a. Pump
- b. Dispenser Base
- c. Washer
- d. Mounting Nut
- e. Dispenser Bottle

2.

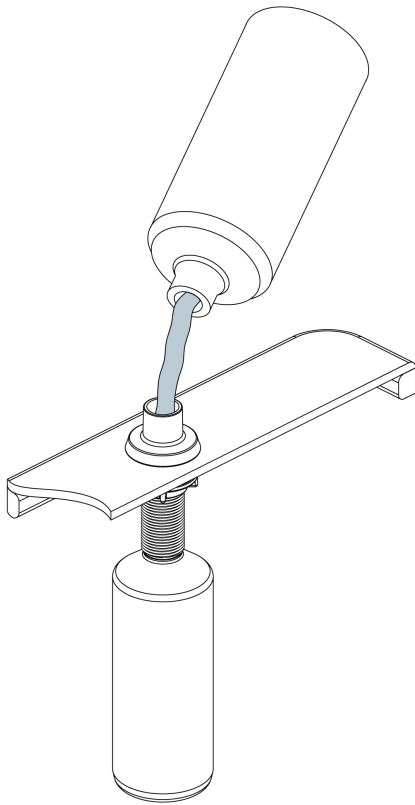


3.

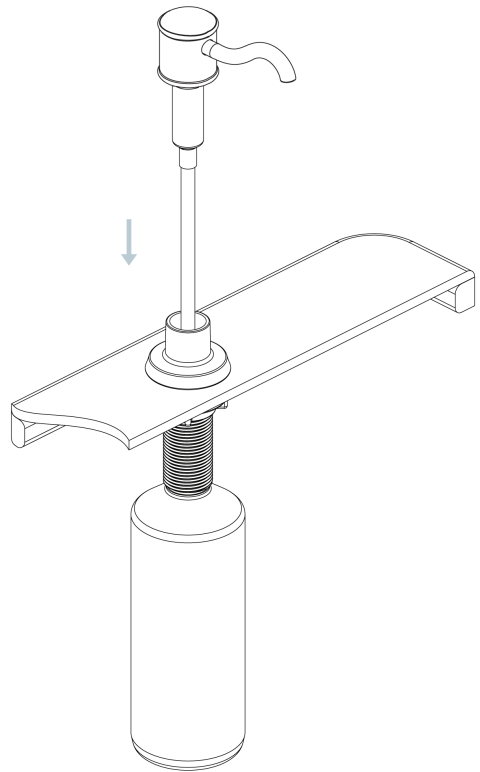


All dimensions and specifications are nominal and may vary. Use actual products for accuracy in critical situations.

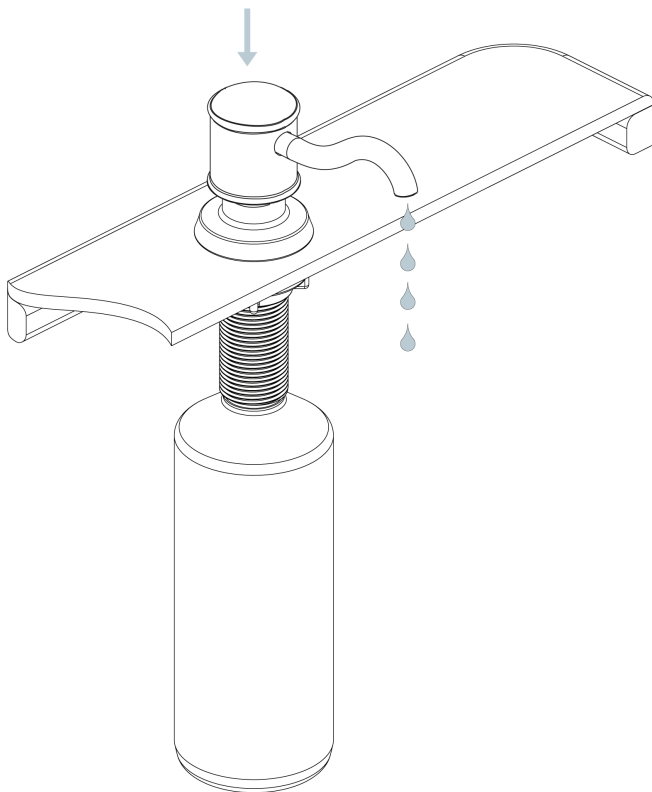
4.



5.



6.



Disassemble soap dispenser

1. Install dispenser base (b) with washer (c) attached into the hole in the countertop. Re-install mounting nut (d) on the dispenser base (b) from underneath the countertop. Tighten mounting nut (d) by hand.

2. Screw the dispenser bottle to the dispenser base from underneath the countertop. Tighten as required.

3. Fill the dispenser bottle from the top with liquid soap.

4. Reinsert the pump into the dispenser base from the top.

5. Press the pump several times to make sure soap is evenly distributed.

Easy To Refill: Simply remove the pump head and refill from the top, no more crawling under the sink to remove the bottle.